

LazrSPEED® Low Smoke Zero Halogen Riser Distribution Cable, 12 fiber single-unit, OM3, aqua

Product Classification

Regional Availability

Asia | Australia/New Zealand | EMEA | Latin America | North America

Portfolio

CommScope®

Product Type

Fiber indoor cable

General Specifications

Cable Type

Distribution

Construction Type

Non-armored

Fiber Type, quantity

12

Jacket Color

Aqua

Subunit Type

Gel-free

Total Fiber Count

12

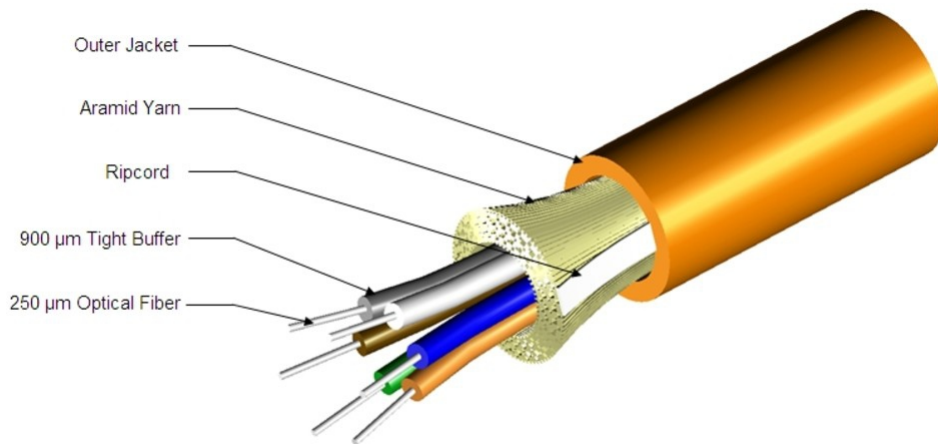
Dimensions

Diameter Over Jacket

6.07 mm | 0.239 in

Representative Image





Mechanical Specifications

Minimum Bend Radius, loaded	91 mm 3.583 in
Minimum Bend Radius, unloaded	61 mm 2.402 in
Tensile Load, long term, maximum	200 N 44.962 lbf
Tensile Load, short term, maximum	667 N 149.948 lbf
Compression	10 N/mm 57.101 lb/in
Compression Test Method	FOTP-41 IEC 60794-1 E3
Flex	100 cycles
Flex Test Method	FOTP-104 IEC 60794-1 E6
Impact	5.88 N-m 52.042 in lb
Impact Test Method	FOTP-25 IEC 60794-1 E4
Strain	See long and short term tensile loads
Strain Test Method	FOTP-33 IEC 60794-1 E1
Twist	10 cycles
Twist Test Method	FOTP-85 IEC 60794-1 E7
Vertical Rise, maximum	500 m 1,640.42 ft

Optical Specifications

Fiber Type	OM3, LazrSPEED® 300 OM3, LazrSPEED® 300
-------------------	---

Environmental Specifications

-10 °C to +60 °C (+14 °F to +140 °F)

www.conectar.com.co

Page 2 of 4

700009749 | N-012-DS-5L-FSUAQ/D

Installation temperature	-10 °C to +60 °C (+14 °F to +140 °F)
Operating Temperature	-20 °C to +70 °C (-4 °F to +158 °F)
Storage Temperature	-40 °C to +70 °C (-40 °F to +158 °F)
Cable Qualification Standards	ANSI/ICEA S-83-596 Telcordia GR-409
EN50575 CPR Cable EuroClass Fire Performance	Dca
EN50575 CPR Cable EuroClass Smoke Rating	s1a
EN50575 CPR Cable EuroClass Droplets Rating	d1
EN50575 CPR Cable EuroClass Acidity Rating	a2
Environmental Space	Low Smoke Zero Halogen (LSZH) Riser
Flame Test Listing	NEC OFNR-LS (ETL) and c(ETL)
Flame Test Method	IEC 60332-3 IEC 60754-2 IEC 61034-2 IEEE 383 UL 1666 UL 1685

Environmental Test Specifications

Heat Age	-20 °C to +85 °C (-4 °F to +185 °F)
Heat Age Test Method	IEC 60794-1 F9
Low High Bend	-10 °C to +60 °C (+14 °F to +140 °F)
Low High Bend Test Method	FOTP-37 IEC 60794-1 E11
Temperature Cycle	-20 °C to +70 °C (-4 °F to +158 °F)
Temperature Cycle Test Method	FOTP-3 IEC 60794-1 F1

Packaging and Weights

Cable weight	34 kg/km 22.847 lb/kft
---------------------	--------------------------

Regulatory Compliance/Certifications

Agency	Classification
CENELEC	EN 50575 compliant, Declaration of Performance (DoP) available
CHINA-ROHS	Below maximum concentration value
ISO 9001:2015	Designed, manufactured and/or distributed under this quality management system
REACH-SVHC	Compliant as per SVHC revision on www.commscope.com/ProductCompliance
ROHS	Compliant



Included Products

CS-5L-TB

www.conectar.com.co

Page 3 of 4

700009749 | N-012-DS-5L-FSUAQ/D

CS-5L-TB – LazrSPEED® 300 OM3 Bend-Insensitive Multimode Fiber

* Footnotes

Operating Temperature Specification applicable to non-terminated bulk fiber cable



MEDELLÍN:

PBX. (57) 4 444 2892

Cra 50 GG # 12 sur-116

BOGOTÁ:

Tel. (57) 1 256 0001 / 256 6682

Cra 69 B # 77- 45

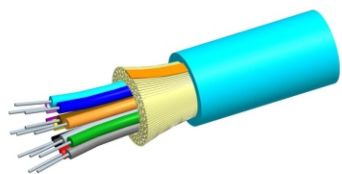
www.conectar.com.co

Distribuidor Autorizado

www.conectar.com.co

Page 4 of 4

700009780 | N-006-DS-5L-FSUAQ/D



LazrSPEED® Low Smoke Zero Halogen Riser Distribution Cable, 6 fiber single-unit, OM3, aqua

Product Classification

Regional Availability

Asia | Australia/New Zealand | EMEA | Latin America | North America

Portfolio

CommScope®

Product Type

Fiber indoor cable

General Specifications

Cable Type

Distribution

Construction Type

Non-armored

Fiber Type, quantity

6

Jacket Color

Aqua

Subunit Type

Gel-free

Total Fiber Count

6

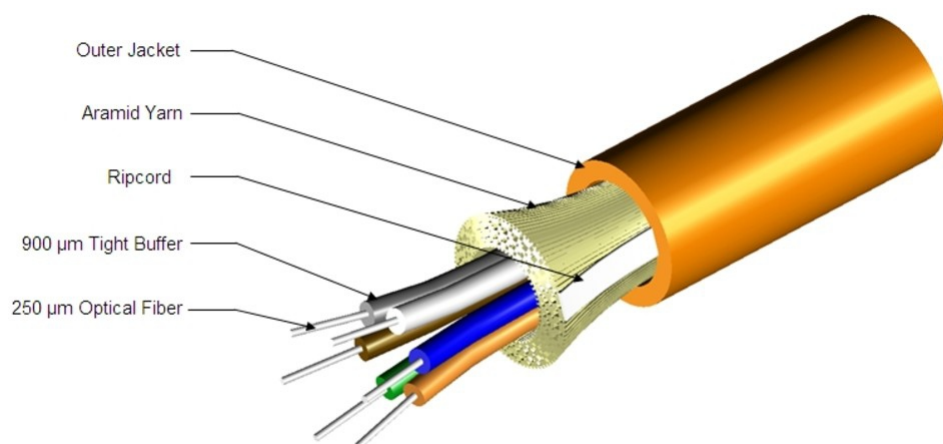
Dimensions

Diameter Over Jacket

5.07 mm | 0.2 in

Representative Image





Mechanical Specifications

Minimum Bend Radius, loaded	76 mm 2.992 in
Minimum Bend Radius, unloaded	51 mm 2.008 in
Tensile Load, long term, maximum	200 N 44.962 lbf
Tensile Load, short term, maximum	667 N 149.948 lbf
Compression	10 N/mm 57.101 lb/in
Compression Test Method	FOTP-41 IEC 60794-1 E3
Flex	100 cycles
Flex Test Method	FOTP-104 IEC 60794-1 E6
Impact	5.88 N-m 52.042 in lb
Impact Test Method	FOTP-25 IEC 60794-1 E4
Strain	See long and short term tensile loads
Strain Test Method	FOTP-33 IEC 60794-1 E1
Twist	10 cycles
Twist Test Method	FOTP-85 IEC 60794-1 E7
Vertical Rise, maximum	500 m 1,640.42 ft

Optical Specifications

Fiber Type	OM3, LazrSPEED® 300 OM3, LazrSPEED® 300
-------------------	---

Environmental Specifications

-10 °C to +60 °C (+14 °F to +140 °F)

www.conectar.com.co

Page 2 of 4

700009780 | N-006-DS-5L-FSUAQ/D

Installation temperature	-10 °C to +60 °C (+14 °F to +140 °F)
Operating Temperature	-20 °C to +70 °C (-4 °F to +158 °F)
Storage Temperature	-40 °C to +70 °C (-40 °F to +158 °F)
Cable Qualification Standards	ANSI/ICEA S-83-596 Telcordia GR-409
EN50575 CPR Cable EuroClass Fire Performance	Dca
EN50575 CPR Cable EuroClass Smoke Rating	s1a
EN50575 CPR Cable EuroClass Droplets Rating	d1
EN50575 CPR Cable EuroClass Acidity Rating	a2
Environmental Space	Low Smoke Zero Halogen (LSZH) Riser
Flame Test Listing	NEC OFNR-LS (ETL) and c(ETL)
Flame Test Method	IEC 60332-3 IEC 60754-2 IEC 61034-2 IEEE 383 UL 1666 UL 1685

Environmental Test Specifications

Heat Age	-20 °C to +85 °C (-4 °F to +185 °F)
Heat Age Test Method	IEC 60794-1 F9
Low High Bend	-10 °C to +60 °C (+14 °F to +140 °F)
Low High Bend Test Method	FOTP-37 IEC 60794-1 E11
Temperature Cycle	-20 °C to +70 °C (-4 °F to +158 °F)
Temperature Cycle Test Method	FOTP-3 IEC 60794-1 F1

Packaging and Weights

Cable weight	24 kg/km 16.127 lb/kft
---------------------	--------------------------

Regulatory Compliance/Certifications

Agency	Classification
CENELEC	EN 50575 compliant, Declaration of Performance (DoP) available
CHINA-ROHS	Below maximum concentration value
ISO 9001:2015	Designed, manufactured and/or distributed under this quality management system
REACH-SVHC	Compliant as per SVHC revision on www.commscope.com/ProductCompliance
ROHS	Compliant



Included Products

CS-5L-TB

www.conectar.com.co

Page 3 of 4

700009780 | N-006-DS-5L-FSUAQ/D

CS-5L-TB – LazrSPEED® 300 OM3 Bend-Insensitive Multimode
Fiber

* Footnotes

Operating Temperature Specification applicable to non-terminated bulk fiber cable



MEDELLÍN:

PBX. (57) 4 444 2892

Cra 50 GG # 12 sur-116

BOGOTÁ:

Tel. (57) 1 256 0001 / 256 6682

Cra 69 B # 77- 45

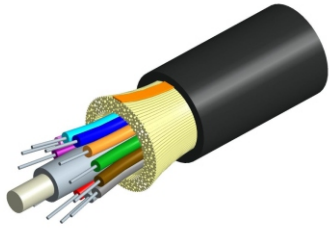
www.conectar.com.co

Distribuidor Autorizado

www.conectar.com.co

Page 4 of 4

700210982 | Z-012-DS-5L-FSUBK/D



LazrSPEED® Indoor/Outdoor Low Smoke Zero Halogen Riser Distribution Cable, 12 fiber single-unit

Product Classification

Regional Availability

Asia | Australia/New Zealand | EMEA | Latin America | North America

Portfolio

CommScope®

Product Type

Fiber indoor/outdoor cable

General Specifications

Cable Type

Distribution

Construction Type

Non-armored

Fiber Type, quantity

12

Jacket Color

Black

Total Fiber Count

12

Dimensions

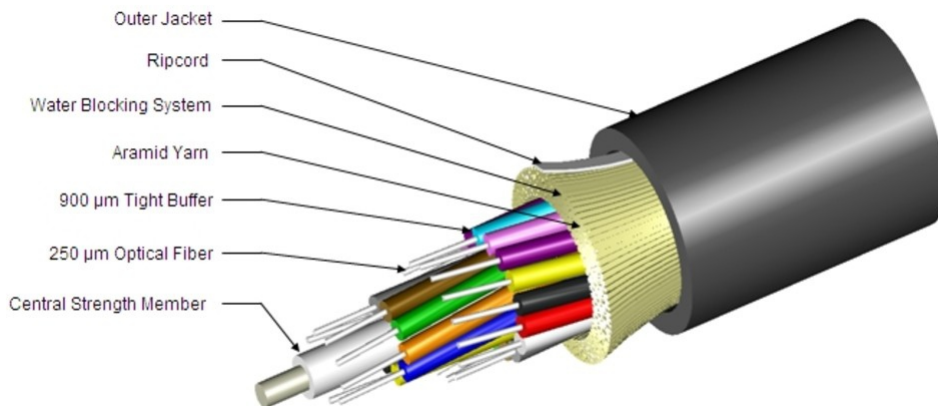
Diameter Over Jacket

7.2 mm | 0.283 in

Representative Image



700210982 | Z-012-DS-5L-FSUBK/D



Mechanical Specifications

Minimum Bend Radius, loaded	108 mm 4.252 in
Minimum Bend Radius, unloaded	72 mm 2.835 in
Tensile Load, long term, maximum	400 N 89.924 lbf
Tensile Load, short term, maximum	1335 N 300.12 lbf
Compression	22 N/mm 125.623 lb/in
Compression Test Method	FOTP-41 IEC 60794-1 E3
Flex	100 cycles
Flex Test Method	FOTP-104 IEC 60794-1 E6
Impact	5.88 N-m 52.042 in lb
Impact Test Method	FOTP-25 IEC 60794-1 E4
Strain	See long and short term tensile loads
Strain Test Method	FOTP-33 IEC 60794-1 E1
Twist	10 cycles
Twist Test Method	FOTP-85 IEC 60794-1 E7
Vertical Rise, maximum	500 m 1,640.42 ft

Optical Specifications

Fiber Type	OM3, LazrSPEED® 300 OM3, LazrSPEED® 300
-------------------	---

Environmental Specifications

Installation temperature	-30 °C to +60 °C (-22 °F to +140 °F)
	-40 °C to +70 °C (-40 °F to +158 °F)

www.conectar.com.co

Page 2 of 4

700210982 | Z-012-DS-5L-FSUBK/D

Operating Temperature	-40 °C to +70 °C (-40 °F to +158 °F)
Storage Temperature	-40 °C to +75 °C (-40 °F to +167 °F)
Cable Qualification Standards	ANSI/ICEA S-104-696 EN 187105 Telcordia GR-20 (water penetration) Telcordia GR-409
EN50575 CPR Cable EuroClass Fire Performance	Dca
EN50575 CPR Cable EuroClass Smoke Rating	s1a
EN50575 CPR Cable EuroClass Droplets Rating	d1
EN50575 CPR Cable EuroClass Acidity Rating	a2
Environmental Space	Low Smoke Zero Halogen (LSZH) Riser
Flame Test Listing	NEC OFNR-LS (ETL) and c(ETL)
Flame Test Method	IEC 60332-3 IEC 60754-2 IEC 61034-2 IEEE 383 UL 1666 UL 1685
Jacket UV Resistance	UV stabilized
Water Penetration	24 h
Water Penetration Test Method	FOTP-82 IEC 60794-1 F5

Environmental Test Specifications

Cable Freeze Test Method	IEC 60794-1 F15
Heat Age	-40 °C to +85 °C (-40 °F to +185 °F)
Heat Age Test Method	IEC 60794-1 F9
Low High Bend	-40 °C to +70 °C (-40 °F to +158 °F)
Low High Bend Test Method	FOTP-37 IEC 60794-1 E11
Temperature Cycle	-40 °C to +70 °C (-40 °F to +158 °F)
Temperature Cycle Test Method	FOTP-3 IEC 60794-1 F1

Packaging and Weights

Cable weight	49 kg/km 32.926 lb/kft
---------------------	--------------------------

Regulatory Compliance/Certifications

Agency	Classification
CENELEC	EN 50575 compliant, Declaration of Performance (DoP) available
CHINA-ROHS	Below maximum concentration value
ISO 9001:2015	Designed, manufactured and/or distributed under this quality management system
REACH-SVHC	Compliant as per SVHC revision on www.commscope.com/ProductCompliance
ROHS	Compliant

www.conectar.com.co



Included Products

CS-5L-TB – LazrSPEED® 300 OM3 Bend-Insensitive Multimode Fiber

* Footnotes

Operating Temperature Specification applicable to non-terminated bulk fiber cable



MEDELLÍN:

PBX. (57) 4 444 2892

Cra 50 GG # 12 sur-116

BOGOTÁ:

Tel. (57) 1 256 0001 / 256 6682

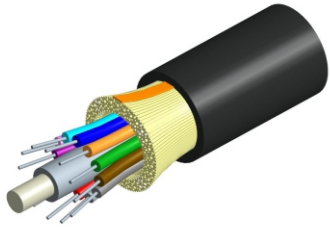
Cra 69 B # 77- 45

www.conectar.com.co

Distribuidor Autorizado

www.conectar.com.co

Page 4 of 4



LazrSPEED® Indoor/Outdoor Low Smoke Zero Halogen Riser Distribution Cable, 6 fiber single-unit

Product Classification

Regional Availability

Asia | Australia/New Zealand | EMEA | Latin America | North America

Portfolio

CommScope®

Product Type

Fiber indoor/outdoor cable

General Specifications

Cable Type

Distribution

Construction Type

Non-armored

Fiber Type, quantity

6

Jacket Color

Black

Total Fiber Count

6

Dimensions

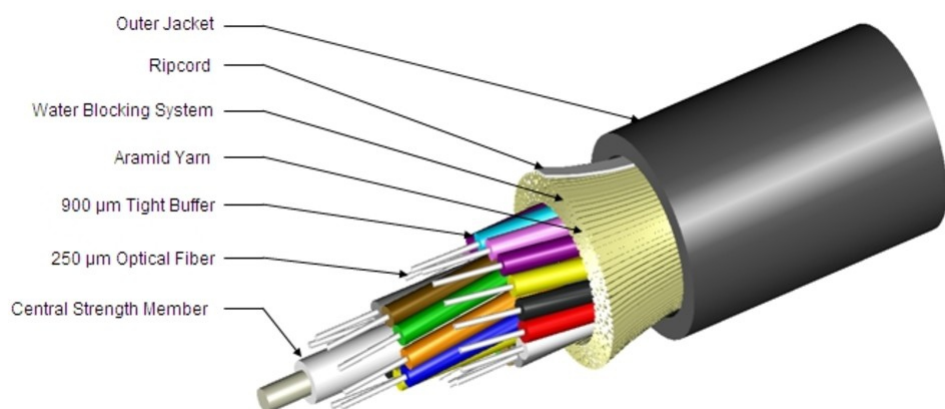
Diameter Over Jacket

5.5 mm | 0.217 in

Representative Image



760039966 | Z-006-DS-5L-FSUBK/D



Mechanical Specifications

Minimum Bend Radius, loaded	83 mm 3.268 in
Minimum Bend Radius, unloaded	55 mm 2.165 in
Tensile Load, long term, maximum	400 N 89.924 lbf
Tensile Load, short term, maximum	1335 N 300.12 lbf
Compression	22 N/mm 125.623 lb/in
Compression Test Method	FOTP-41 IEC 60794-1 E3
Flex	100 cycles
Flex Test Method	FOTP-104 IEC 60794-1 E6
Impact	5.88 N-m 52.042 in lb
Impact Test Method	FOTP-25 IEC 60794-1 E4
Strain	See long and short term tensile loads
Strain Test Method	FOTP-33 IEC 60794-1 E1
Twist	10 cycles
Twist Test Method	FOTP-85 IEC 60794-1 E7
Vertical Rise, maximum	500 m 1,640.42 ft

Optical Specifications

Fiber Type	OM3, LazrSPEED® 300 OM3, LazrSPEED® 300
-------------------	---

Environmental Specifications

Installation temperature	-30 °C to +60 °C (-22 °F to +140 °F)
	-40 °C to +70 °C (-40 °F to +158 °F)

www.conectar.com.co

Page 2 of 4

760039966 | Z-006-DS-5L-FSUBK/D

Operating Temperature	-40 °C to +70 °C (-40 °F to +158 °F)
Storage Temperature	-40 °C to +75 °C (-40 °F to +167 °F)
Cable Qualification Standards	ANSI/ICEA S-104-696 EN 187105 Telcordia GR-20 (water penetration) Telcordia GR-409
EN50575 CPR Cable EuroClass Fire Performance	Dca
EN50575 CPR Cable EuroClass Smoke Rating	s1a
EN50575 CPR Cable EuroClass Droplets Rating	d1
EN50575 CPR Cable EuroClass Acidity Rating	a2
Environmental Space	Low Smoke Zero Halogen (LSZH) Riser
Flame Test Listing	NEC OFNR-LS (ETL) and c(ETL)
Flame Test Method	IEC 60332-3 IEC 60754-2 IEC 61034-2 IEEE 383 UL 1666 UL 1685
Jacket UV Resistance	UV stabilized
Water Penetration	24 h
Water Penetration Test Method	FOTP-82 IEC 60794-1 F5

Environmental Test Specifications

Cable Freeze Test Method	IEC 60794-1 F15
Heat Age	-40 °C to +85 °C (-40 °F to +185 °F)
Heat Age Test Method	IEC 60794-1 F9
Low High Bend	-40 °C to +70 °C (-40 °F to +158 °F)
Low High Bend Test Method	FOTP-37 IEC 60794-1 E11
Temperature Cycle	-40 °C to +70 °C (-40 °F to +158 °F)
Temperature Cycle Test Method	FOTP-3 IEC 60794-1 F1

Packaging and Weights

Cable weight	26 kg/km 17.471 lb/kft
---------------------	--------------------------

Regulatory Compliance/Certifications

Agency	Classification
CENELEC	EN 50575 compliant, Declaration of Performance (DoP) available
CHINA-ROHS	Below maximum concentration value
ISO 9001:2015	Designed, manufactured and/or distributed under this quality management system
REACH-SVHC	Compliant as per SVHC revision on www.commscope.com/ProductCompliance
ROHS	Compliant

www.conectar.com.co



Included Products

CS-5L-TB – LazrSPEED® 300 OM3 Bend-Insensitive Multimode Fiber

* Footnotes

Operating Temperature Specification applicable to non-terminated bulk fiber cable



MEDELLÍN:

PBX. (57) 4 444 2892

Cra 50 GG # 12 sur-116

BOGOTÁ:

Tel. (57) 1 256 0001 / 256 6682

Cra 69 B # 77- 45

www.conectar.com.co

Distribuidor Autorizado

www.conectar.com.co

Page 4 of 4